

- 3 mm coated steel
- Any RAL-color
- Coating method is adapted to the intended use of the planter
- Drainage holes D 15 mm
- Feet h approx 100 mm, 4 pcs

Optional accessories:

- Drainage layer 70-100 mm
- Insulation 20 mm
- Water reservoir panel 40 mm
- Lightweight soil, type C
- Taylor made drip irrigation

Green City Planter

Corner 800x800x550

Article number: 20505

Project: _

Date: 2017-08-29

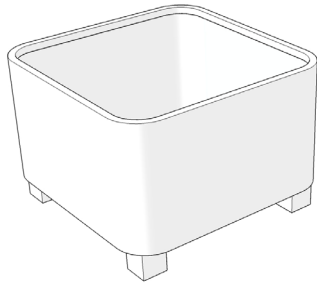
Sign: JT

Scale: N/A

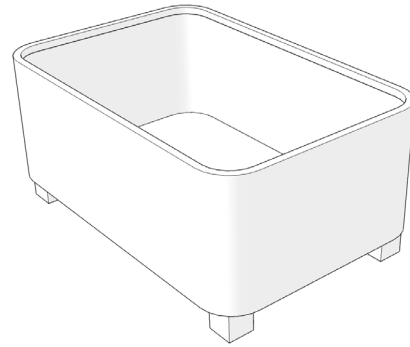
Sheet:



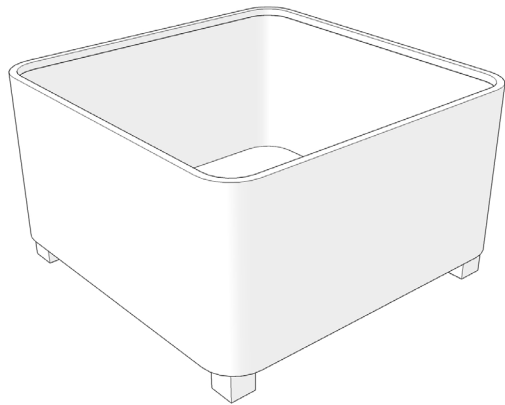
www.greencity.se



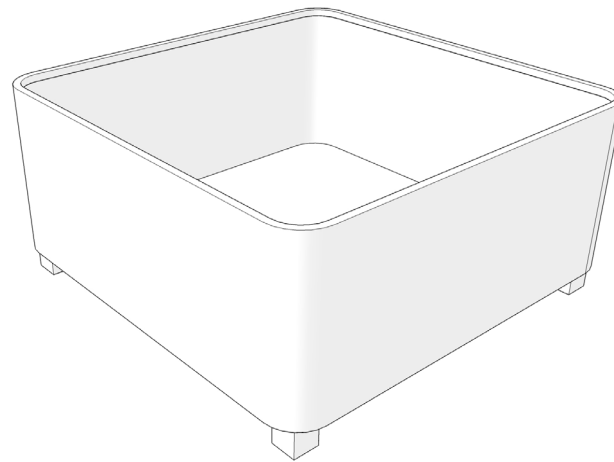
Art.nr: 20505
800X800X550 mm



Art.nr: 20506
1200X800X550 mm



Art.nr: 20507
1200X1200x700 mm



Art.nr: 20508
1450x1450x700 mm

Green City Planter

Corner
Models

Project: _

Date: 2017-08-29

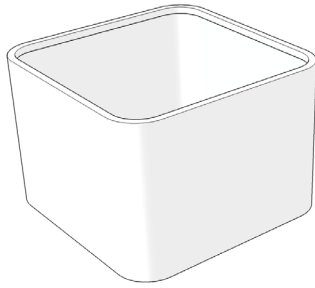
Sign: JT

Scale: N/A

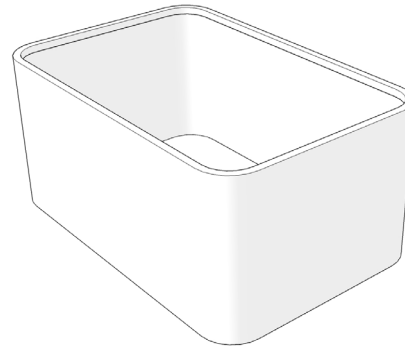
Sheet:



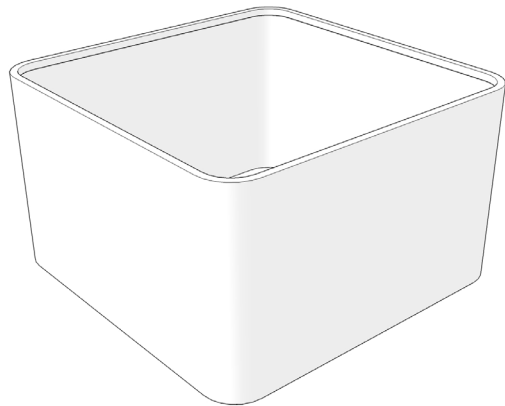
www.greencity.se



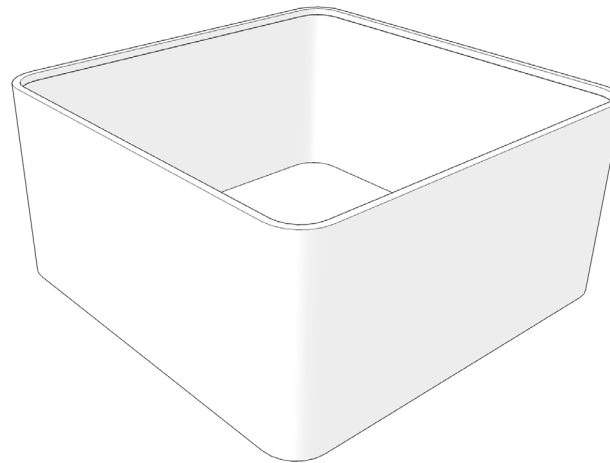
Art.nr: 20501
800X800X550 mm



Art.nr: 20502
1200X800X550 mm



Art.nr: 20503
1200X1200x700 mm



Art.nr: 20504
1450x1450x700 mm

Green City Planter

Corner

Models

Project: _

Date: 2017-08-29

Sign: JT

Scale: N/A

Sheet:



www.greencity.se